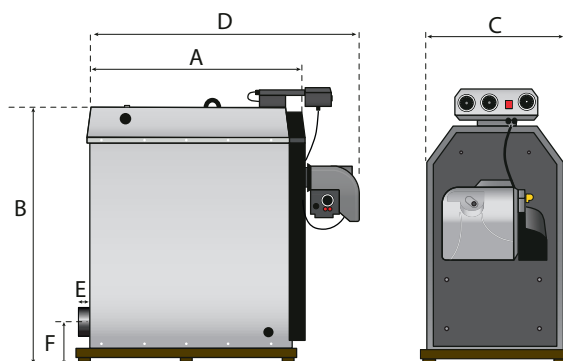


POST MARINE HEATING – DIMENSIONS CAMINUS 55-120kW UNITS

DIMENSIONS IN MM *	A	B	C	D	E	F
Caminus 55kW	726	953	540	926	55	198
Caminus 70kW	776	954	586	987	56	208
Caminus 85kW	827	995	627	1025	55	208
Caminus 100kW	976	1014	598	1255	56	212
Caminus 120kW	946	1084	626	1230	56	208



TECHNICAL DATA CAMINUS

IN KILOWATTS (KW)		CAMINUS 55kW	CAMINUS 70kW	CAMINUS 85kW	CAMINUS 100kW	CAMINUS 120kW
Load (input)	kW	60	77	93,5	110	132
Capacity (output)	kW	55	70	85	100	120
Diameter exhaust	mm	130	150	150	180	180
Weight "total"	Kg	300	330	385	440	475
CH connection	mm	1" 1/4	1" 1/4	1" 1/4	1 1/2"	1 1/2"
Temperature exhaust	°C	150 - 250	150 - 250	150 - 250	150 - 250	150 - 250
Efficiency	%	>90	>90	>90	>90	>90
Operating pressure	Bar	2,0	2,0	2,0	2,0	2,0
Operating pressure (operation overflow valve)	Bar	3,0	3,0	3,0	3,0	3,0
Maximum length of chimney (horizontal)	Mtr	5	5	5	5	5
Maximum length of chimney (vertical)	Mtr	7 - 10	7 - 10	7 - 10	7 - 10	7 - 10
Fuel		Diesel / Fuel Oil / HBO / GTL				

TECHNICAL SPECIFICATIONS BURNER

MODEL		MAX8	MAX8	MAX8	MAX12	MAX15
Oil pump pressure	Bar	10 - 12	10 - 12	10 - 12	10 - 12	10 - 12
Diameter oil spray/ nozzle 60/80°S	°S	1,25 of 1,35	1,65 of 1,75	1,75 of 2,00	2,25 of 2,50	2,50 of 2,75
Start capability	W	350	350	350	400	400
Voltage	V	230	230	230	230	230
Energy consumption	A	1,5	1,5	1,5	1,7	1,7

Dealer Post Marine Heating